

T-2N

2PC Full port ball valve

Screwed end

FEATURES

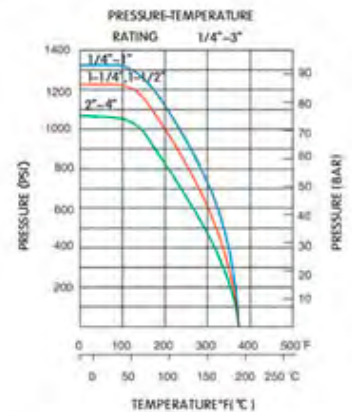
- ◆ Pipe thread in accordance with ANSI B2.1, BS 21-1973, DIN 259/2999, ISO 228
- ◆ Blow-out proof stem/Full port
- ◆ 1000PSI (69 BAR)W.O.G.
- ◆ Material: ASTM-A351-CF8, ASTM-A351-CF8M
- ◆ OPTION: Locking device
 - Oval Handle
 - Wing Handle



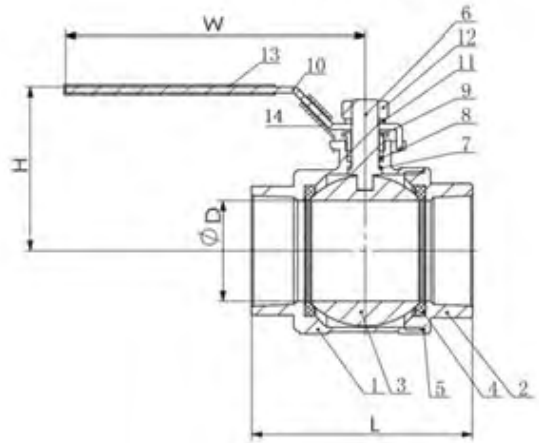
DIMENSIONS

NIT:mm

SIZE	L	D	H	W
1/4"	49	12.8	51	95
3/8"	49	12.8	51	95
1/2"	57	15	55	95
3/4"	65	20	59	110
1"	78	25	73	135
1-1/4"	90.5	32	78	135
1-1/2"	105	38	91	147
2"	127	50	99	165
2-1/2"	160	65	130	215
3"	180	80	142	215
4"	220	100	165	310



ITEM	PARTS	MATERIALS	Q'TY
1	BODY	ASTM-A351-CF8M	1
2	CAP	ASTM-A351-CF8M	1
3	BALL	ASTM-A351-CF8M	1
4	BALL SEAT	PTFE	2
5	JOINT GASKET	PTFE	1
6	STEM	AISI316	1
7	THRUST WASHER	PTFE	1
8	STEM PACKING	PTFE	2
9	GLAND NUT	AISI 304	1
10	HANDLE	AISI 304	1
11	STEM WASHER	AISI 304	1
12	STEM NUT	AISI 304	1
13	PLASTIC COVER	PLASTIC	1
14	LOCK DEVICE	AISI 304	1



ASCHL[®]

EDELSTAHL IN BESTFORM