

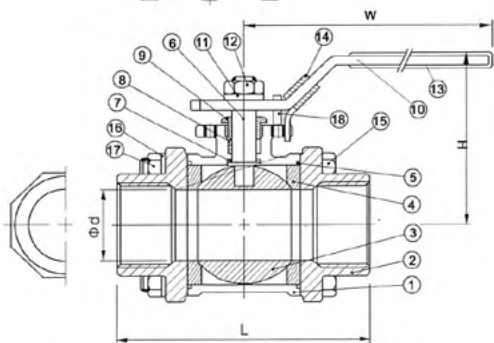
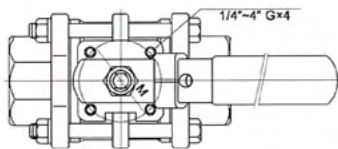
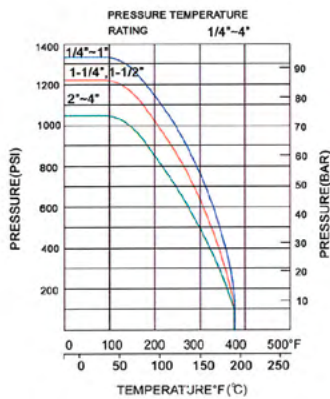
T-3M TYPE

SCREWED END
3PC MOUNTING PAD FULL PORT BALL VALVE



FEATURES

- ◆ Pipe thread in accordance with ANSI B2.1, BS 21-1973, DIN 259/2999, ISO 228
- ◆ Blow-out proof stem/Full port
- ◆ Investment casting body and cap
- ◆ 1000 PSI (69 BAR) W.O.C.
- ◆ Mounting Pad for ISO 5211
- ◆ Screwed end.
- ◆ Material: ASTM-A351-CF8, ASTM-A351-CF8M & ASTM-A216-WCB
- ◆ OPTION: Locking device



ITEM	PARTS	Q.TY	MATERIAL	
			T3M	T3M -C
1	BODY	1	ASTM-A351-CF8M	ASTM-A216-WCB
2	CAP	2	ASTM-A351-CF8M	ASTM-A216-WCB
3	BALL	1	ASTM-A351-CF8M	ASTM-A351-CF8M
4	BALL SEAT	2	PTFE	PTFE
5	JOINT GASKET	2	PTFE	PTFE
6	STEM	1	AISI 316	AISI 316
7	THRUST WASHER	1	PTFE	PTFE
8	STEM PACKING	2	PTFE	PTFE
9	GLAND NUT	1	AISI 304	AISI 304
10	HANDLE	1	AISI 304	AISI 304
11	STEM WASHER	1	AISI 304	AISI 304
12	STEM NUT	1	AISI 304	AISI 304
13	PLASTIC COVER	1	PLASTIC	PLASTIC
14	LOCK DEVICE	1	AISI 304	AISI 304
15	BOLT	4(3",4" × 6PCS)	AISI 304	AISI 304
16	SPRING WASHER	4(3",4" × 6PCS)	AISI 304	AISI 304
17	HEX NUT	4(3",4" × 6PCS)	AISI 304	AISI 304
18	STOP PIN	1	AISI 304	AISI 304

DIMENSIONS UNIT:mm

NOMINAL SIZE	Φd	L	H	W	ISO 5211		Cv Factor	TORQUE kgf-cm
					ΦM	G		
1/4"	12.8	59	51	95	36	M5	6.6	40
3/8"	12.8	59	51	95	36	M5	7.9	40
1/2"	15	64	55	95	36	M5	11.2	54
3/4"	20	75	63	110	36	M5	21	78
1"	25	85	74	135	42	M5	35	106
1-1/4"	32	97	80	135	50	M6	57	150
1-1/2"	38	110	92	175	50	M6	80	200
2"	50	132	107	180	70	M8	150	280
2-1/2"	65	167	128	250	70	M8	265	500
3"	80	187	138	250	70	M8	415	770
4"	100	230	180	300	102	M10	780	1100