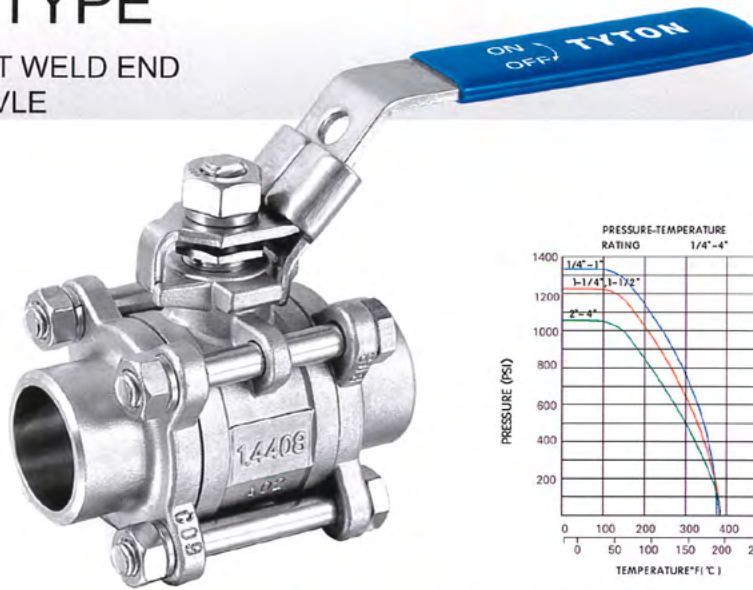


T-3BW TYPE

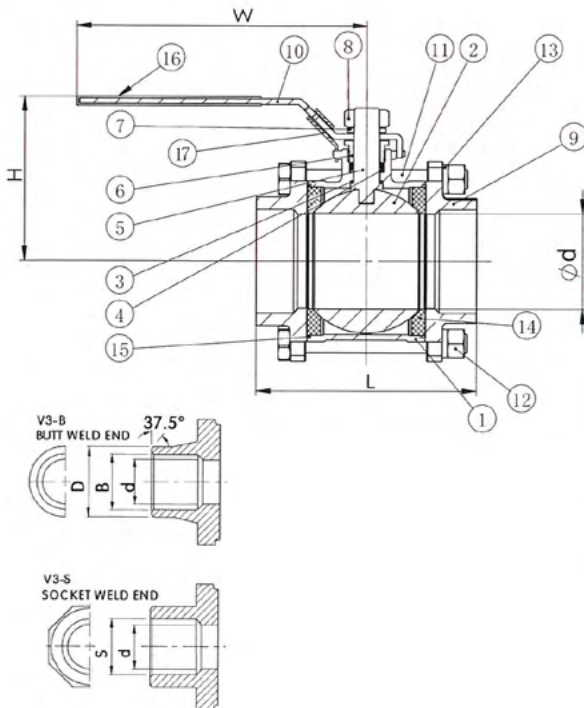
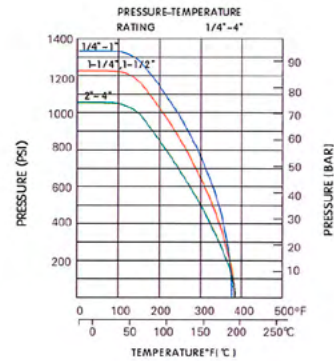
BUTT WELD END/SOCKET WELD END
3PC FULL PORT BALL VALVE



FEATURES

- ◆ Pipe thread in accordance with ANSI B2.1, BS 21-1973, DIN 259/2999, ISO 228
- ◆ Blow-out proof stem/Full port
- ◆ Investment casting body and cap
- ◆ 1000 PSI (69 BAR) W.O.G.
- ◆ Butt weld end, socket weld end
- ◆ Material: ASTM-A351-CF8M, ASTM-A351-CF8&ASTM-A216-WCB
- ◆ OPTION: Locking device

Oval Handle
Wing Handle



ITEM	PARTS	Q'TY	MATERIAL	
			T3BW	T3BW-C
1	BODY	1	ASTM-A351-CF8M	ASTM-A216-WCB
2	BALL	1	ASTM-A351-CF8M	ASTM-A351-CF8M
3	THRUST WASHER	1	PTFE	PTFE
4	STEM PACKING	2	PTFE	PTFE
5	STEM	1	AISI 316	AISI 316
6	GLAND NUT	1	AISI 304	AISI 304
7	STEM WASHER	1	AISI 304	AISI 304
8	STEM NUT	1	AISI 304	AISI 304
9	CAP	2	ASTM-A351-CF8M	ASTM-A216-WCB
10	HANDLE	1	AISI 304	AISI 304
11	BOLT	4-6	AISI 304	AISI 304
12	HEX NUT	4-6	AISI 304	AISI 304
13	SPRING WASHER	4-6	AISI 304	AISI 304
14	BALL SEAT	2	PTFE	PTFE
15	JOINT GASKET	2	PTFE	PTFE
16	PLASTIC COVER	1	PLASTIC	PLASTIC
17	LOCK DEVICE	1	AISI 304	AISI 304

DIMENSIONS UNIT:mm

NOMINAL SIZE	d	L	H	W	B	D	S
1/4"	12.8	59	51	95	12	18	14.1
3/8"	12.8	59	51	95	14	18	17.6
1/2"	15	64	55	95	17.1	22	21.7
3/4"	20	75	59	110	22.5	27.5	27.1
1"	25	86	73	135	28	33.5	33.8
1-1/4"	32	97	78	135	33.5	44	42.6
1-1/2"	38	110	91	165	43	50	48.7
2"	50	132	99	165	53	61.5	61.1
2-1/2"	65	167	130	215	65	76	76.9
3"	80	187	142	215	80	92	89.8
4"	100	230	174	310	100	115	115.4