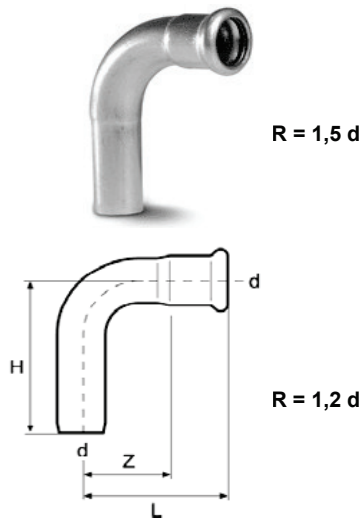


Einsteckbogen 90°
1 Muffe



| d | L | H | Z | Gewicht in g |
|------|-----|-----|-----|-----------------------|
| 12 | | | | <i>bald verfügbar</i> |
| 15 | 48 | 56 | 27 | 58 |
| 18 | 53 | 62 | 32 | 70 |
| 22 | 60 | 68 | 37 | 98 |
| 28 | 71 | 80 | 47 | 147 |
| 35 | 87 | 93 | 60 | 200 |
| 42 | 115 | 125 | 83 | 331 |
| 54 | 142 | 149 | 105 | 505 |
| d | L | H | Z | Gewicht in g |
| 35 | 75 | 83 | 48 | 179 |
| 42 | 89 | 97 | 57 | 260 |
| 54 | 107 | 116 | 70 | 400 |
| 76,1 | 150 | 165 | 95 | 982 |
| 88,9 | 174 | 190 | 111 | 1.317 |
| 108 | 215 | 238 | 138 | 2.068 |