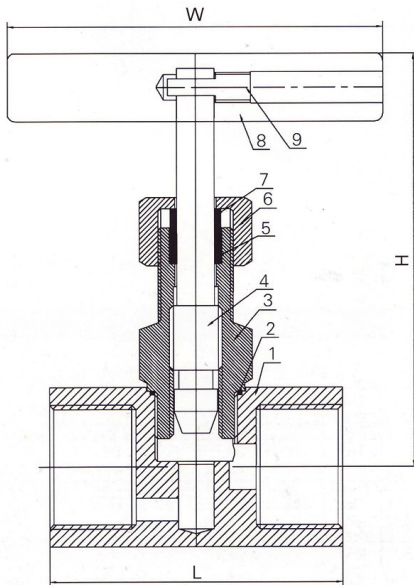


# Nadelventil „Easy“

IG/IG

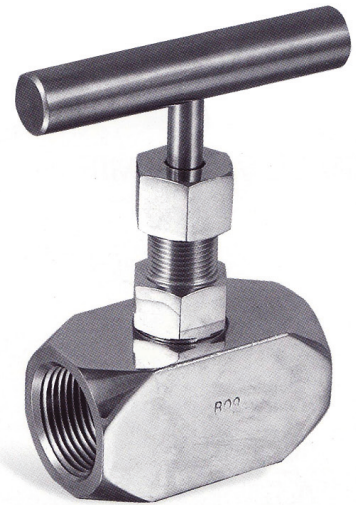


## FEATURES

- ◆ Investment casting
- ◆ Screwed-In Bonnet
- ◆ Rising Stem
- ◆ T Handle Operation
- ◆ Connecting Threads:  
ANSI B2.1, BS 21-1973,  
DIN259/2999, ISO 228
- ◆ Working pressure;  
6000 PSI

## DIMENSIONS UNIT:mm

SIZE	L	H	W
1/4"	45	69	50
3/8"	50	72	50
1/2"	63	92	65
3/4"	64	95	65
1"	78	109	100



ITEM	PARTS	MATERIAL	Q.TY
1	BODY	316	1
2	JOINT GASKET	PTFE	1
3	CAP	316	1
4	STEM	316	1
5	STEM PACKING	PTFE	2
6	PACKING NUT	316	1
7	HIGH WASHER	304	1
8	HANDLE	304	1
9	BOLTS	304	1