

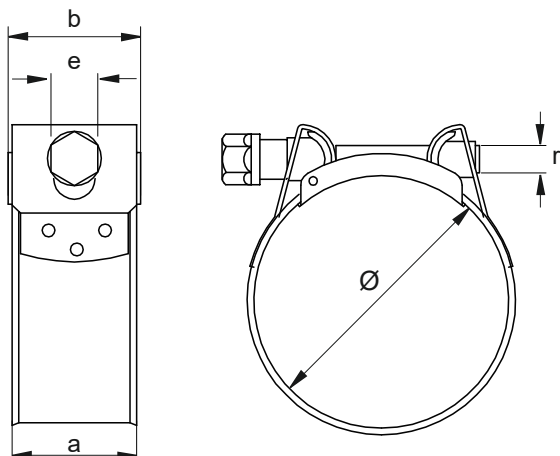
GELENKBOLZENSCHELLE

aus Edelstahl V2A

ASCHL®

EDELSTAHL IN BESTFORM

ADm. \emptyset	Art.Nr.	r	e	a	b	max. Nm	max. Druck
17 - 19 mm	SKM-017/019-V2A	M6	8 mm	18 ⁺⁰² mm	19,8 mm	10,0 Nm	40 bar
19 - 21 mm	SKM-019/021-V2A	M6	8 mm	18 ⁺⁰² mm	19,8 mm	10,0 Nm	40 bar
21 - 23 mm	SKM-021/023-V2A	M6	8 mm	18 ⁺⁰² mm	19,8 mm	10,0 Nm	40 bar
23 - 25 mm	SKM-023/025-V2A	M6	8 mm	18 ⁺⁰² mm	19,8 mm	10,0 Nm	40 bar
25 - 27 mm	SKM-025/027-V2A	M6	8 mm	18 ⁺⁰² mm	19,8 mm	10,0 Nm	40 bar
27 - 29 mm	SKM-027/029-V2A	M6	8 mm	18 ⁺⁰² mm	19,8 mm	10,0 Nm	40 bar
29 - 31 mm	SKM-029/031-V2A	M7	10 mm	20 ⁺⁰³ mm	22,0 mm	12,0 Nm	35 bar
31 - 34 mm	SKM-031/034-V2A	M7	10 mm	20 ⁺⁰³ mm	22,0 mm	12,0 Nm	35 bar
34 - 37 mm	SKM-034/037-V2A	M7	10 mm	20 ⁺⁰³ mm	22,0 mm	12,0 Nm	35 bar
37 - 40 mm	SKM-037/040-V2A	M7	10 mm	20 ⁺⁰³ mm	22,0 mm	12,0 Nm	35 bar
40 - 43 mm	SKM-040/043-V2A	M7	10 mm	20 ⁺⁰³ mm	22,0 mm	12,0 Nm	35 bar
43 - 47 mm	SKM-043/047-V2A	M7	10 mm	20 ⁺⁰³ mm	22,0 mm	12,0 Nm	35 bar



ADm. \emptyset	Art.Nr.	r	e	a	b	max. Nm	max. Druck
47 - 51 mm	SKM-047/051-V2A	M7	10 mm	20 ⁺⁰³ mm	22,0 mm	16,0 Nm	30 bar
51 - 55 mm	SKM-051/055-V2A	M7	10 mm	20 ⁺⁰³ mm	22,0 mm	16,0 Nm	30 bar
55 - 59 mm	SKM-055/059-V2A	M7	10 mm	20 ⁺⁰³ mm	22,0 mm	16,0 Nm	30 bar
59 - 63 mm	SKM-059/063-V2A	M7	10 mm	20 ⁺⁰³ mm	22,0 mm	16,0 Nm	30 bar
63 - 68 mm	SKM-063/068-V2A	M7	10 mm	20 ⁺⁰³ mm	22,0 mm	16,0 Nm	30 bar
68 - 73 mm	SKM-068/073-V2A	M8	13 mm	25 ⁺⁰⁴ mm	27,5 mm	27,5 Nm	20 bar
73 - 79 mm	SKM-073/079-V2A	M8	13 mm	25 ⁺⁰⁴ mm	27,5 mm	27,5 Nm	20 bar
79 - 85 mm	SKM-079/085-V2A	M8	13 mm	25 ⁺⁰⁴ mm	27,5 mm	27,5 Nm	20 bar
85 - 91 mm	SKM-085/091-V2A	M8	13 mm	25 ⁺⁰⁴ mm	27,5 mm	27,5 Nm	15 bar
91 - 97 mm	SKM-091/097-V2A	M8	13 mm	25 ⁺⁰⁴ mm	27,5 mm	27,5 Nm	15 bar
97 - 104 mm	SKM-097/104-V2A	M8	13 mm	25 ⁺⁰⁴ mm	27,5 mm	27,5 Nm	15 bar
104 - 112 mm	SKM-104/112-V2A	M8	13 mm	25 ⁺⁰⁴ mm	27,5 mm	27,5 Nm	15 bar
112 - 121 mm	SKM-112/121-V2A	M8	13 mm	25 ⁺⁰⁴ mm	27,5 mm	27,5 Nm	10 bar

